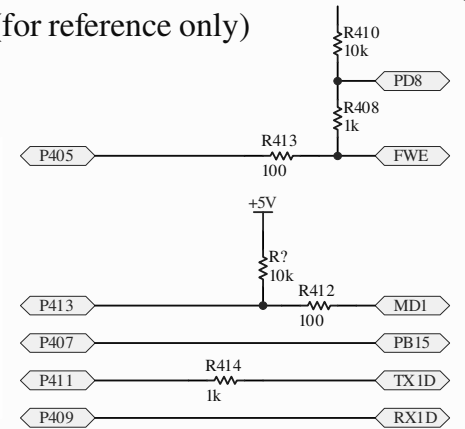


ECU test pad schematic (for reference only)

Subaru DBW ECU Boot Mode (taken from '05 STi DBW ECU AJ930)

- * connect P405 to +5v (to set FWE)
- * connect P413 to GND (to go into boot mode)
- * toggle P407 at 125Hz at TTL levels (to keep WDT happy)
- * receive TTL serial from P441
- * send TTL serial to P409



Title Subaru SH Boot Mode Adapter			Tactrix Incorporated 337 17th Avenue East Seattle, Washington 98112-5106, USA www.tactrix.com	
Size: A4	Revision: 1	Copyright: 2005		
Date: 12/11/2006	Time: 7:15:40 PM	Sheet 1 of 1		
File: C:\openecu\notes\sh subaru boot mode\subaru dbw ecu boot mode.SchDoc				